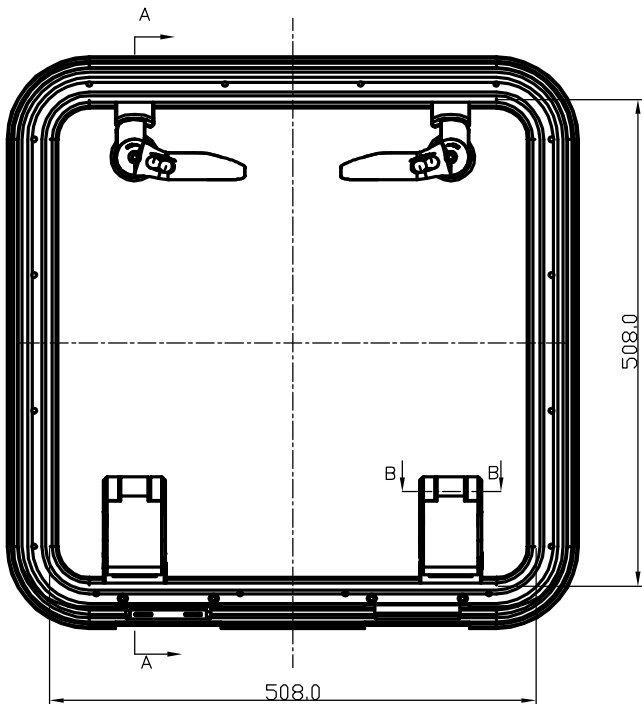
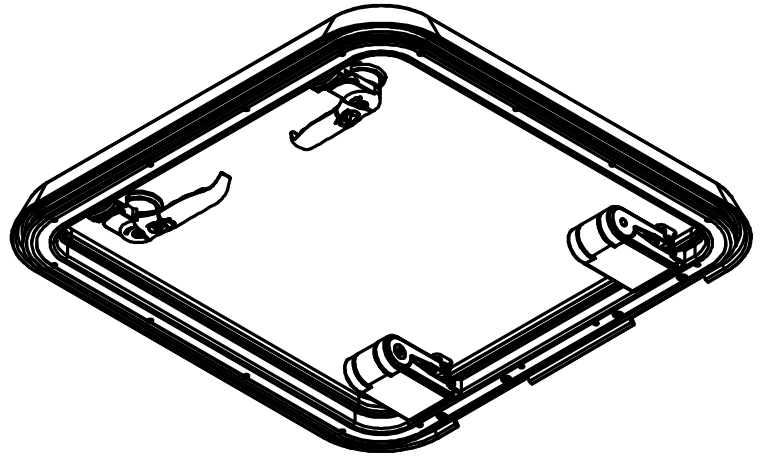
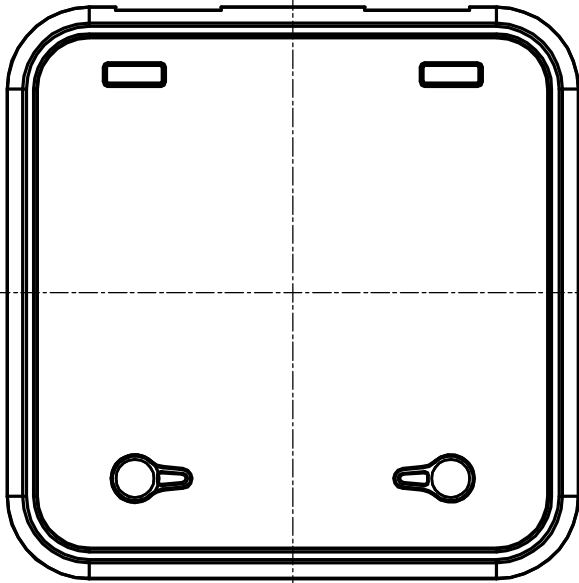
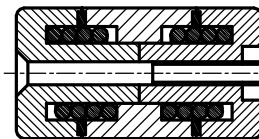


NO.(ECN)	Revision	Description	Date	Revised



A-A



B-B
2:1



Unless otherwise specified; tolerances are:
 1. Wall Thickness = $\pm 5\%$
 2. Angles = $\pm 2^\circ$
 3. Profile dimensions fit : ISO JS13
 ★ INDICATES "CRITICAL TO QUALITY" DIMENSION
 REMOVE BURRS AND SHARP CORNERS 0.10-0.25



Bainbridge International Ltd

508x508 Size60/
 508x508 Square Hatch Flat base(Assembly)

Drawn: Z.H.D. Date: 200900917

Checked: Date:

M'TL: Scale: 1:8

DWG. NO.: 09136AAB0

Approved: Date:

Weight: g Dimensions: M/M

Projection: A4V

Finish: SHEET 1 OF 1

Customer's No.: SIZE 60