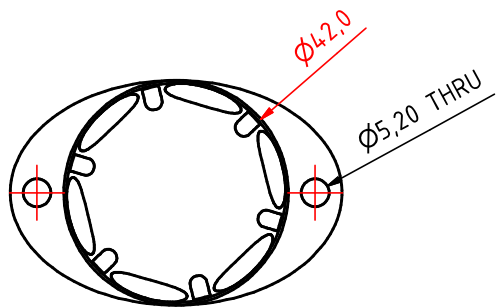
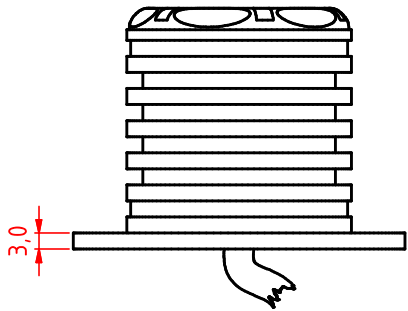
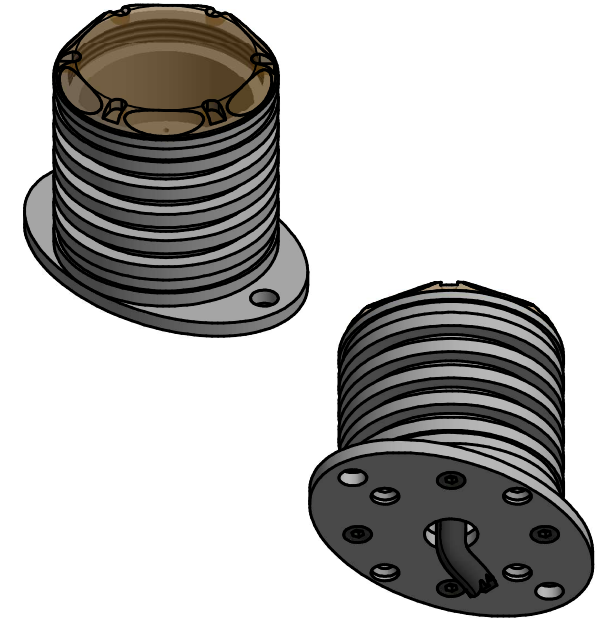
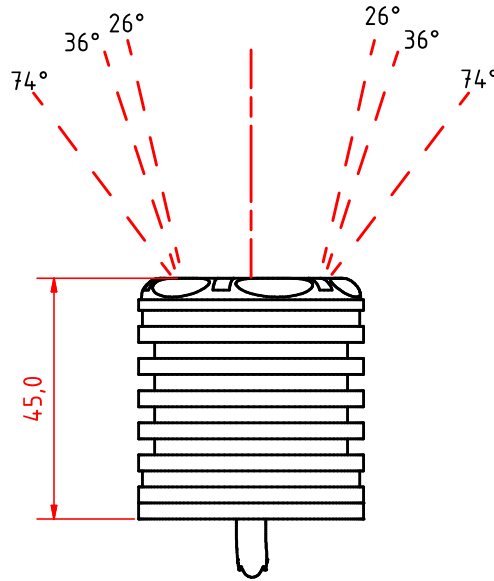


These lights can be accommodated with either a 26° or a 36° or a 74° light beam.



400-082, 6W High power spreader/deck light, available 26° or 36° or 74°, dimmable

DRAWING NO.: 400-082AA REV. NO.: 0 SIZE: A3 DRAWN BY: baulhardercohen

SCALE: 1:1 TOLERANCES: DS/ISO 2768-f REVIEWED BY: JM

MATERIAL DESCRIPTION: Aluminium & Acrylic

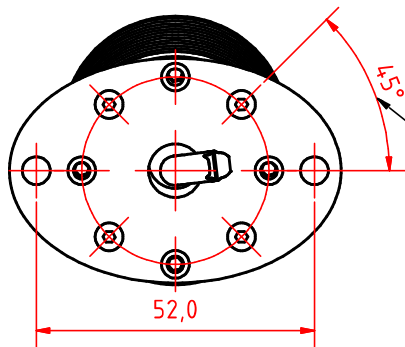
This Drawing, and the information within, is the property of Lopolight ApS and may not be used in any form without express permission therefrom. Lopolight reserves the right to change this drawing and assumes no liability for the information communicated herein. Use of dimensions and other information in this drawing is at the users own risk.



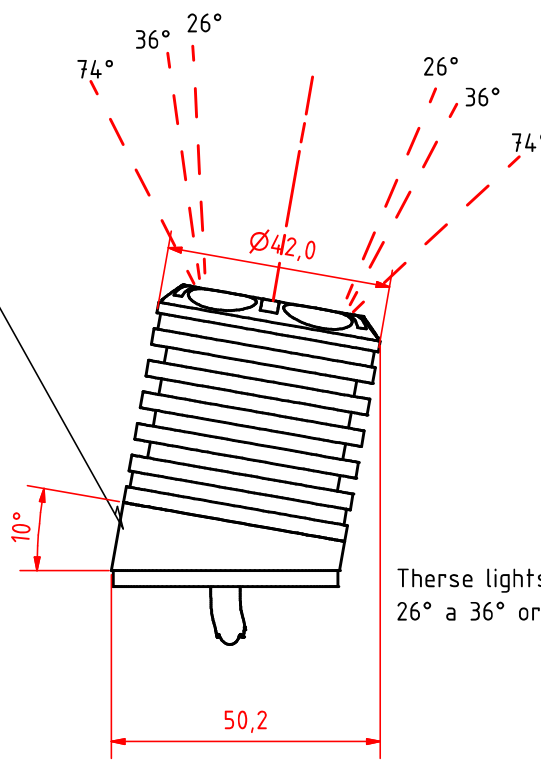
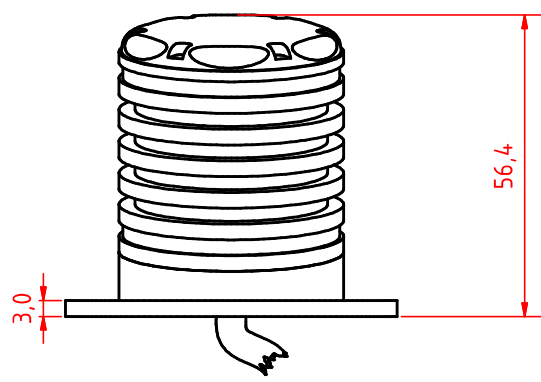
Lopolight ApS www.lopolight.com  
 Bakkegaardsvej 513  
 DK-3050, Humlebaek  
 Denmark

Tel: (+45) 32 48 50 30 Fax: (+45) 32 48 50 32  
 info@lopolight.com

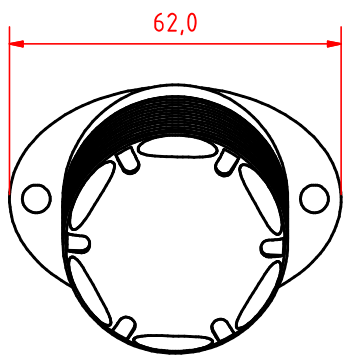
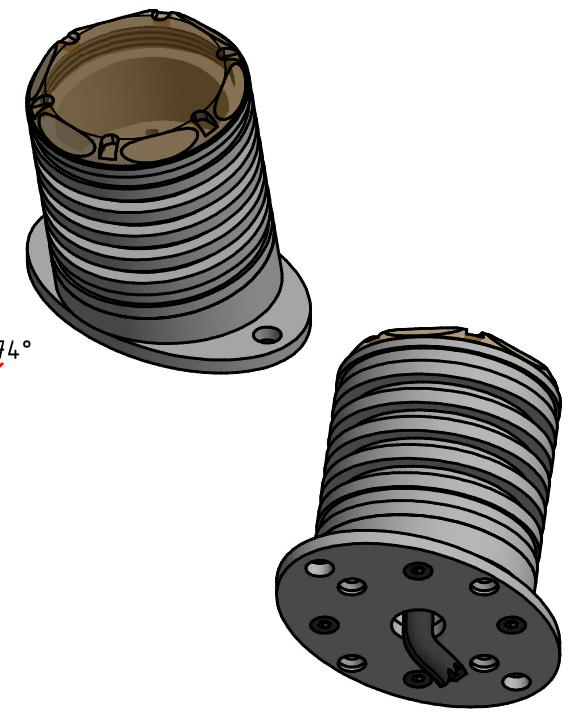




The 10° wedge can be reoriented in relationship to the base plate in 90° Intervals



These lights can be accomodated with either a 26° a 36° or a 74° light beam.



Rev1: 22/11/17 Rotation angle notation correction

**400-082, 6W High power spreader/deck light, available 26° or 36° or 74°, dimmable with Angle Base**

DRAWING NO.: <b>400-082BA</b>	REV. NO.: <b>1</b>	SIZE: <b>A3</b>	DRAWN BY: <b>baulhardercohen</b>
SCALE: <b>1:1</b>	TOLERANCES: <b>DS/ISO 2768-f</b>	REVIEWED BY: <b>JM</b>	

MATERIAL DESCRIPTION:  
**Aluminium & Acrylic**

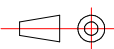
This Drawing, and the information within, is the property of Lopolight ApS and may not be used in any form without express permission there from. Lopolight reserves the right to change this drawing and assumes no liability for the information communicated herein. Use of dimensions and other information in this drawing is at the users own risk.

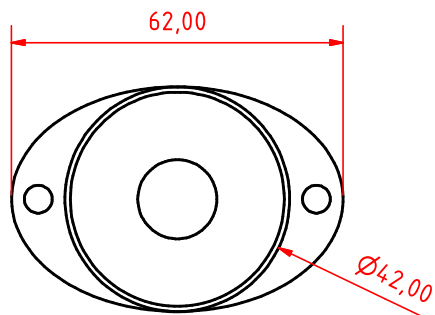
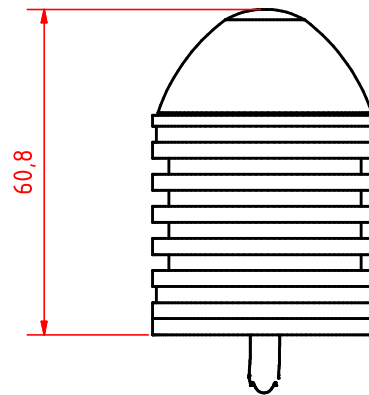
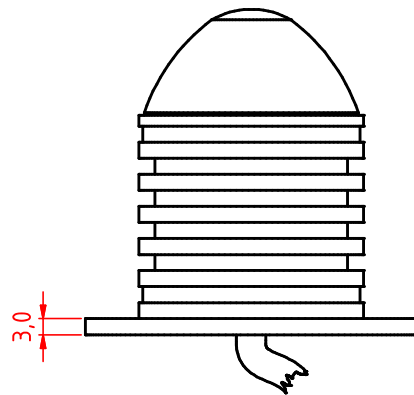
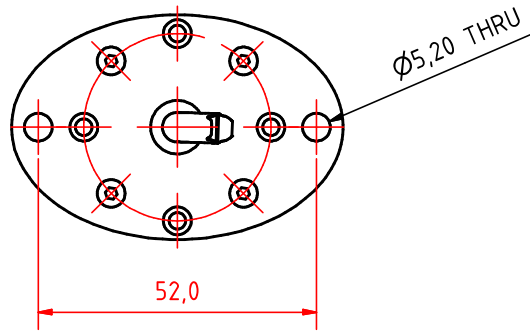


**Lopolight ApS**  
Bakkegaardsvej 513  
DK-3050, Humlebaek  
Denmark

Tel: (+45) 32 48 50 30 Fax: (+45) 32 48 50 32  
info@lopolight.com

50MM AT A3





400-082, 6W High power spreader/deck light, 6°, dimmable

DRAWING NO.:	REV. NO.:	SIZE:	DRAWN BY:
400-082CA	0	A3	baulhardercohen
SCALE:	TOLERANCES:	REVIEWED BY:	
1:1	DS/ISO 2768-f	JM	

MATERIAL DESCRIPTION:  
Aluminium & Acrylic

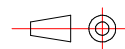
This Drawing, and the information within, is the property of Lopolight ApS and may not be used in any form without express permission there from. Lopolight reserves the right to change this drawing and assumes no liability for the information communicated herein. Use of dimensions and other information in this drawing is at the users own risk.

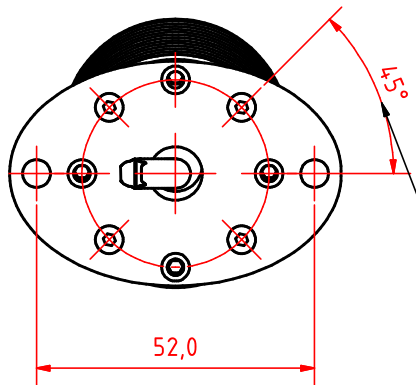


Lopolight ApS  
Bakkegaardsvej 513  
DK-3050, Humlebaek  
Denmark

Tel: (+45) 32 48 50 30 Fax: (+45) 32 48 50 32  
info@lopolight.com

50MM AT A3

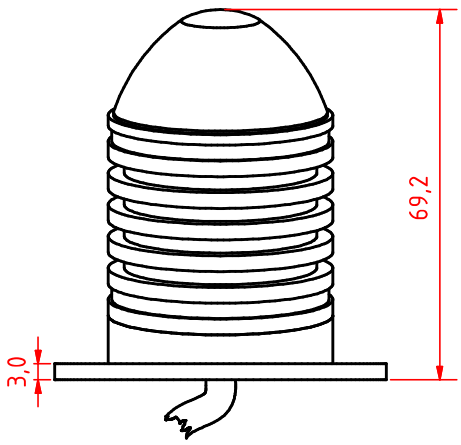




52,0

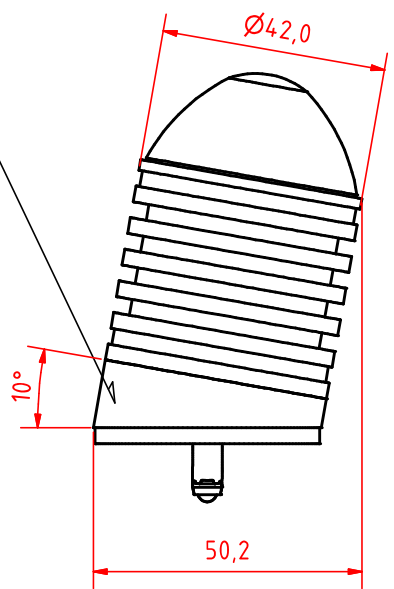
45°

The 10° wedge can be reoriented in relationship to the base plate in 90° Intervals



3,0

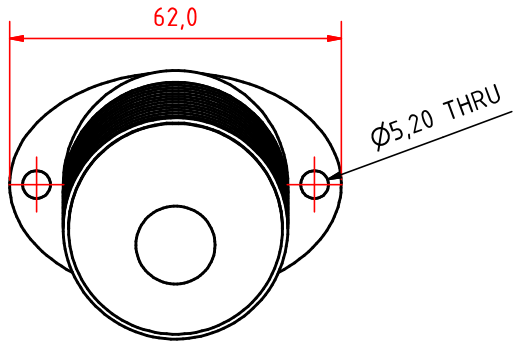
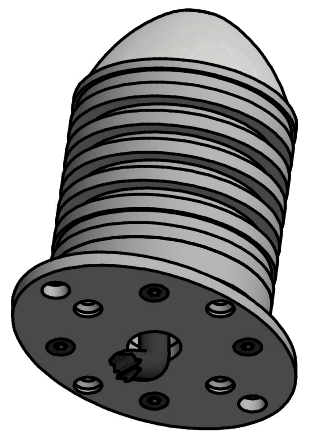
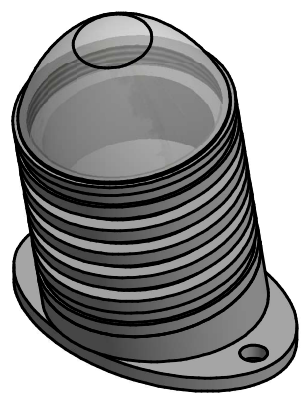
69,2



Ø42,0

10°

50,2



62,0

Ø5,20 THRU

Rev1: 22/11/17 Rotation angle notation correction

400-082, 6W High power spreader/deck light, 6°, dimmable With Angle Base

DRAWING NO.: 400-082DA	REV. NO.: 1	SIZE: A3	DRAWN BY: baulhardercohen
SCALE: 1:1	TOLERANCES: DS/ISO 2768-f	REVIEWED BY: JM	

MATERIAL DESCRIPTION:  
Aluminium & Acrylic

This Drawing, and the information within, is the property of Lopolight ApS and may not be used in any form without express permission there from. Lopolight reserves the right to change this drawing and assumes no liability for the information communicated herein. Use of dimensions and other information in this drawing is at the users own risk.



Lopolight ApS  
Bakkegaardsvej 513  
DK-3050, Humlebaek  
Denmark

Tel:(+45) 32 48 50 30 Fax:(+45) 32 48 50 32  
info@lopolight.com

50MM AT A3

